

Depth gauge

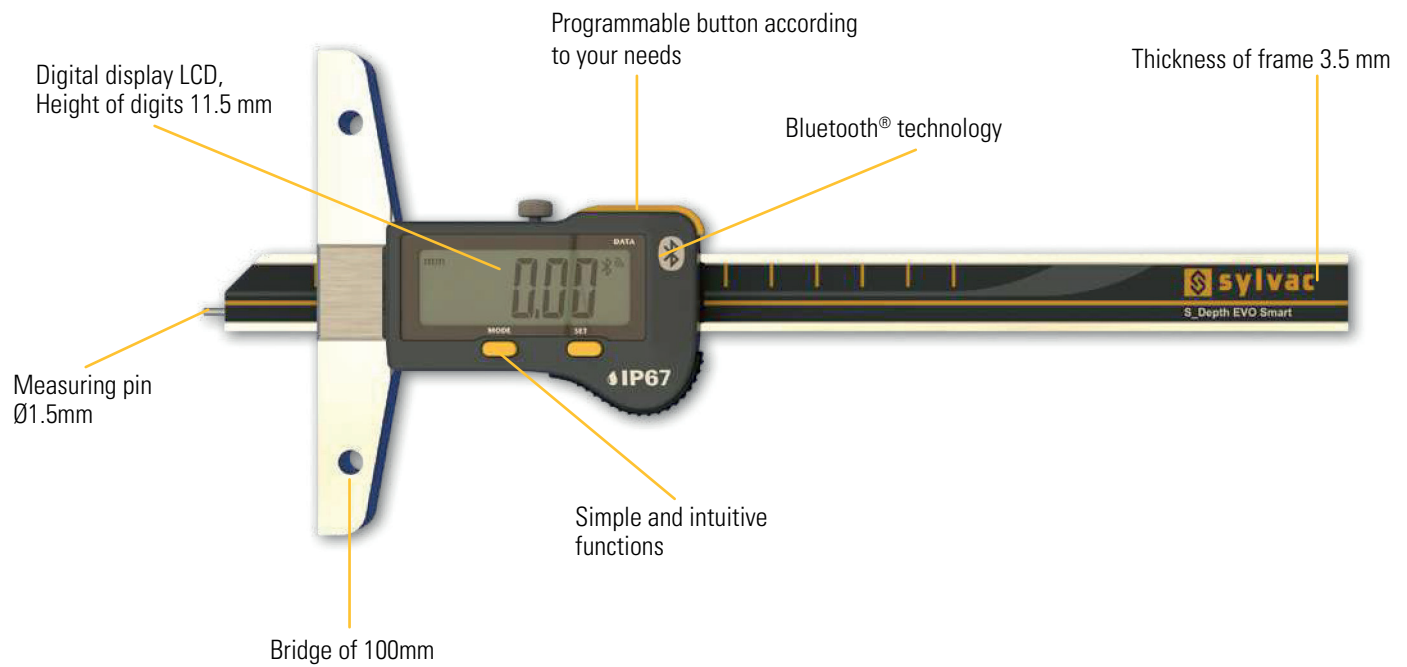
S_Depth EVO Smart

DESCRIPTION

PIN Ø1.5

- **Integrated Bluetooth® wireless technology**

- Depth gauge with bridge 100mm
- Hardened measuring pin Ø1.5mm, length 5mm
- Programmable button according to your needs
- Water protected for heavy-duty work with coolants and lubricants, protection rating IP67 according to IEC 60529,
- Automatic wake-up by moving the electronic on his frame. (Absolute System S.I.S)
- Sleeping mode after 10 min. of no use. (Absolute System S.I.S)
- Position memorized in sleeping mode, **Absolute System S.I.S***
- Mechanical frame in stainless steel, hardened and grinded



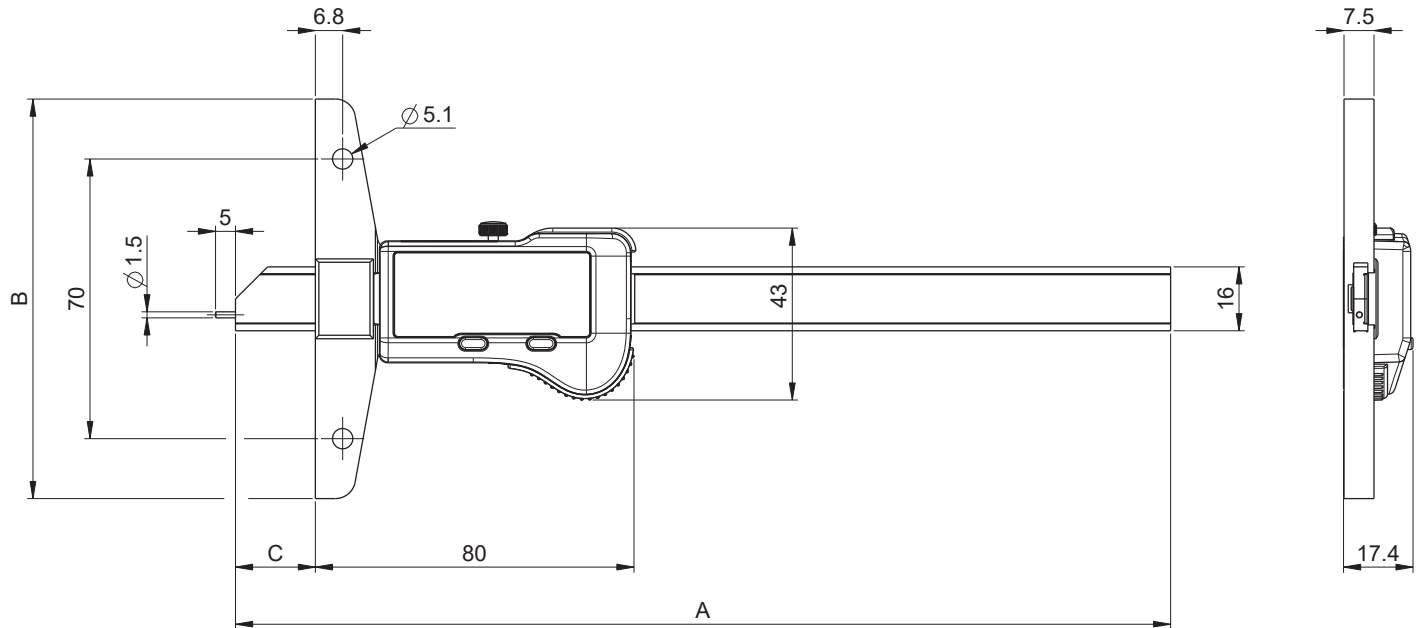
Measuring pin Ø1.5mm

Depth gauge

S_Depth EVO Smart

DIMENSIONAL DRAWING

PIN Ø1.5



TECHNICAL SPECIFICATIONS

		112431.0100	112431.0200	112431.0300
Measuring range	mm	150	200	300
Max. Error	µm	20 ¹⁾	30	30
Resolution	mm		0.01	
A	mm	234	284	384
B - Bridge	mm		100	
C	mm	0-152	0-202	0-302
Frame	mm		16x3.5	
Output data		Bluetooth® wireless technology*		
Functions		Zero setting, Preset (max 999.99), mm/inch, Hold, Data		
Smart Inductive Sensor		●		

¹⁾ > 100 mm : 30 µm / DIN 862

*** Up to 8 instruments connected per dongle 109145.1390**
 More informations on How to use Bluetooth® leaflet SYL_1401_EN_BT