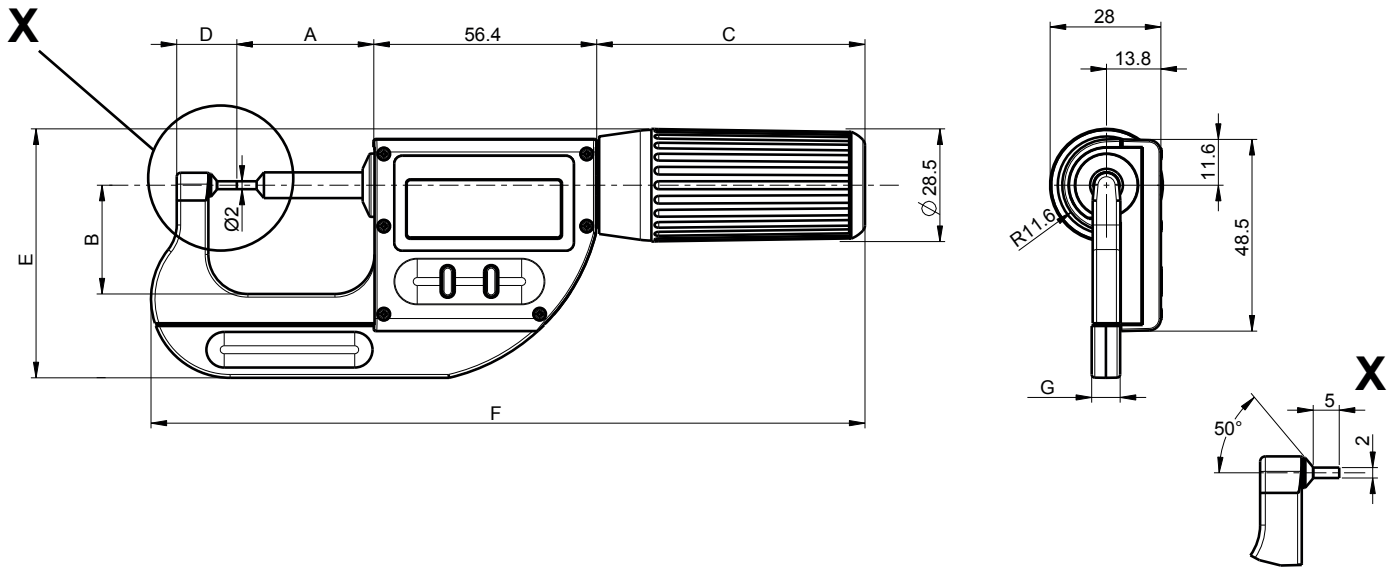


# Professional micrometer


# S\_Mike PRO

## DIMENSIONAL DRAWING

## CYLINDRICAL Ø2



## TECHNICAL SPECIFICATIONS

		115141.0100	115141.0200	115141.0300	115141.1100
Measuring range	mm	0-25	25-60	60-95	0-25
Max. Error G <sup>1)</sup>	µm	3	4	5	3
Repeatability <sup>2)</sup>	µm	1	1	1	1
Anvils types		Ø2			Ø2
A	mm	34.6	70.6	106.6	34.6
B	mm	27.5	43	60	27.5
C	mm	68	74	74	68
D	mm	15.2	16.2	17.2	15.2
E	mm	63	86	106	63
F	mm	181	230	269	181
G	mm	7.2	9	9	7.2
Output data		USB / RS 232 <sup>3)</sup>			
Prot. rating accor. to IEC 60529		IP67 even connected			
Setting by PC		●			
Adjustable measuring force		5N / 10N	10N		5N / 10N
Non-rotating spindle		●			
Fast movement		●			
Preset function		●			
Smart Inductive Sensor		●			

<sup>1)</sup> according to DIN 863

<sup>2)</sup> ± 1 digit

<sup>3)</sup> see cables chapter