

# ***PLAST SPRINT***



## *Instructions & Application Tips*

### **STARTING**

- 1. Attach the appropriate tip and fix by means of the clamp ring or clamp spring.**
- 2. Adapt the flexible metal pipe as required.**
- 3. Press the push-button. After approx. 10 seconds, the tip has reached the temperature required to commence the cleaning procedure. The sticker**

**12 s ON / 48 s OFF**

**indicated on your PLAST SPRINT's handle means that the intermittent service may be applied on this device only. Each working cycle of 12 seconds must be followed by a pause cycle of 48 seconds!**

The tip can be exchanged easily, however, please ensure that the tip covers the heating element for the complete boring depth, thus avoiding an air cushion between tip and heating element. Tips which are not fixed correctly or which are attached loose, result in the heating element burning out. Should the tip become stuck, it can be extracted by heating, using appropriate tools. ATTENTION: Danger of burns!

The tips are subject to wear and should be replaced at appropriate intervals. Once work has been completed, cut the energy supply immediately (unplug) and place the PLAST SPRINT on a surface where there is no risk of fire. The device is only suitable for free cleaning. Do not leave the tip in melted plastic. Should you try to remove the tip once the plastic has cooled, there is the risk of breakage.

### **Exchanging defective components**

Exchanging defective components is easy. As the heating element is equipped with two different screw connections and a plug connection there is no danger of any false connection. When exchanging the power cable, please observe that this is a special plug cable of type "M" and can only be exchanged by the same type.

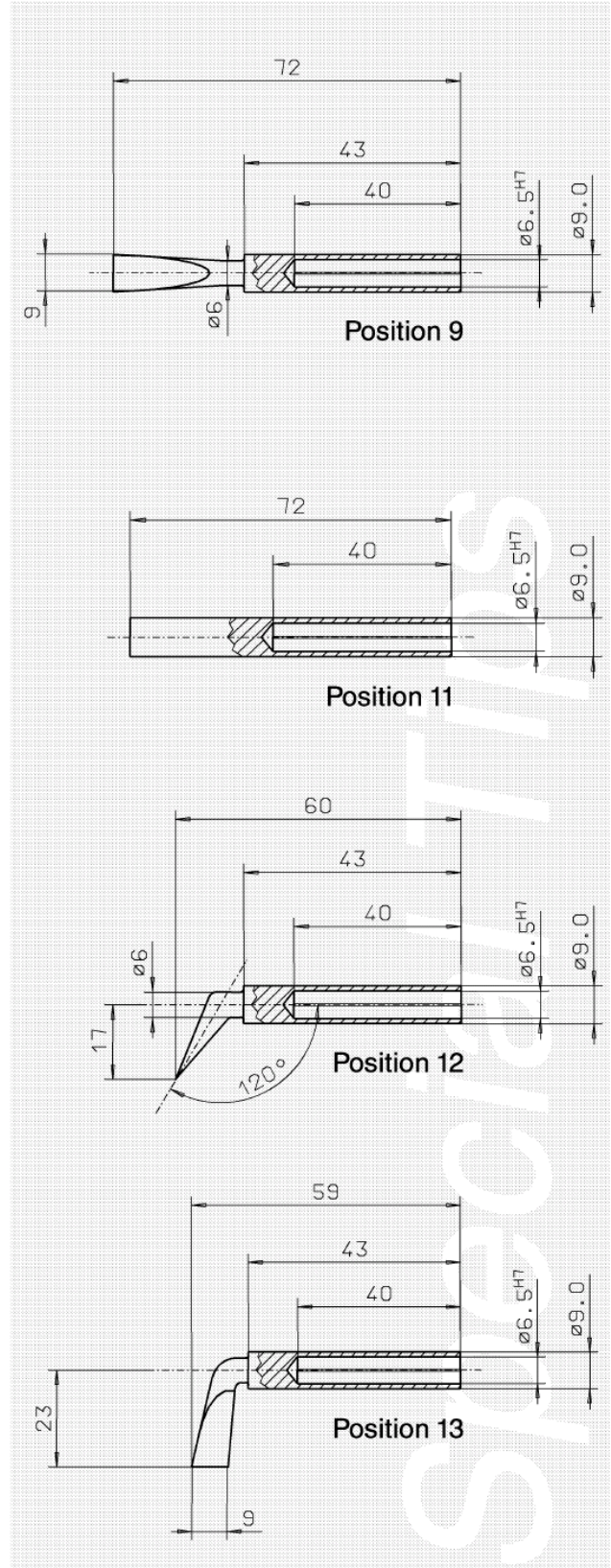
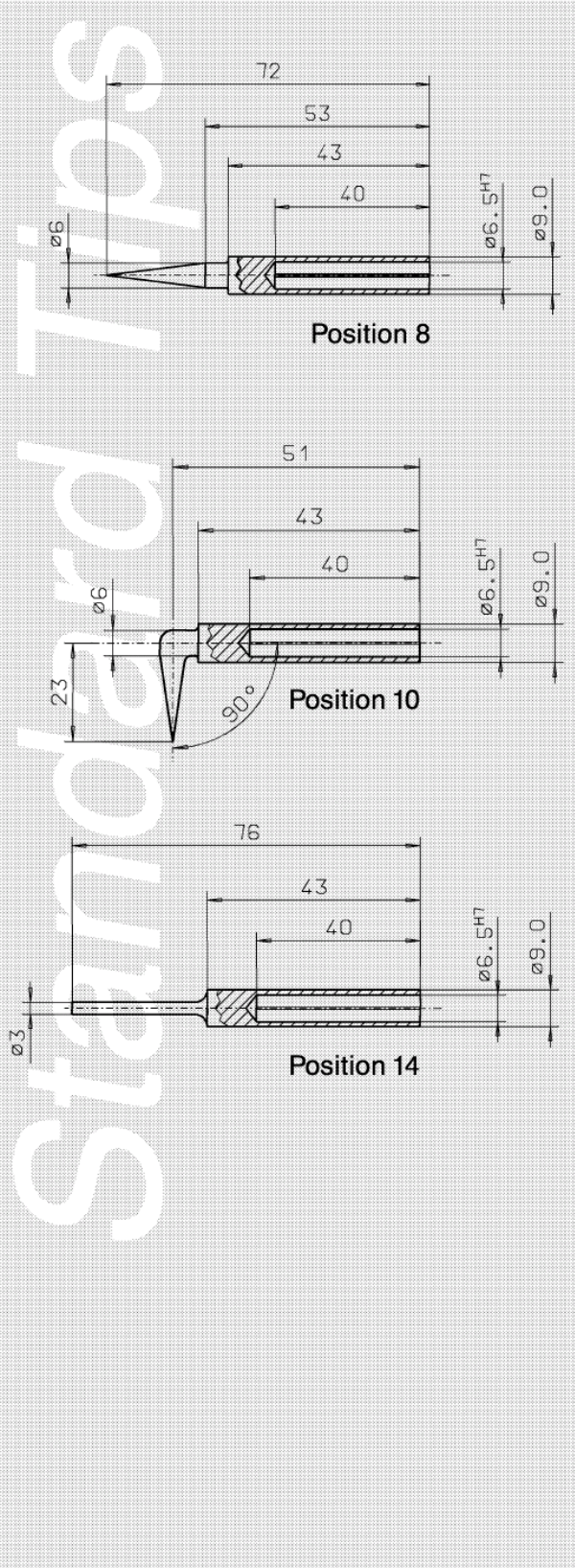
**For security reasons, such exchanges may only be executed by specialists and only with Original parts. The device must also be regularly subjected to a security check.**

If you follow the above instructions, your PLAST SPRINT will be a useful helper for years to come!



# PLAST SPRINT

All Available Tips: Standard Tips and Special Tips



The PLAST SPRINT – so convenient!