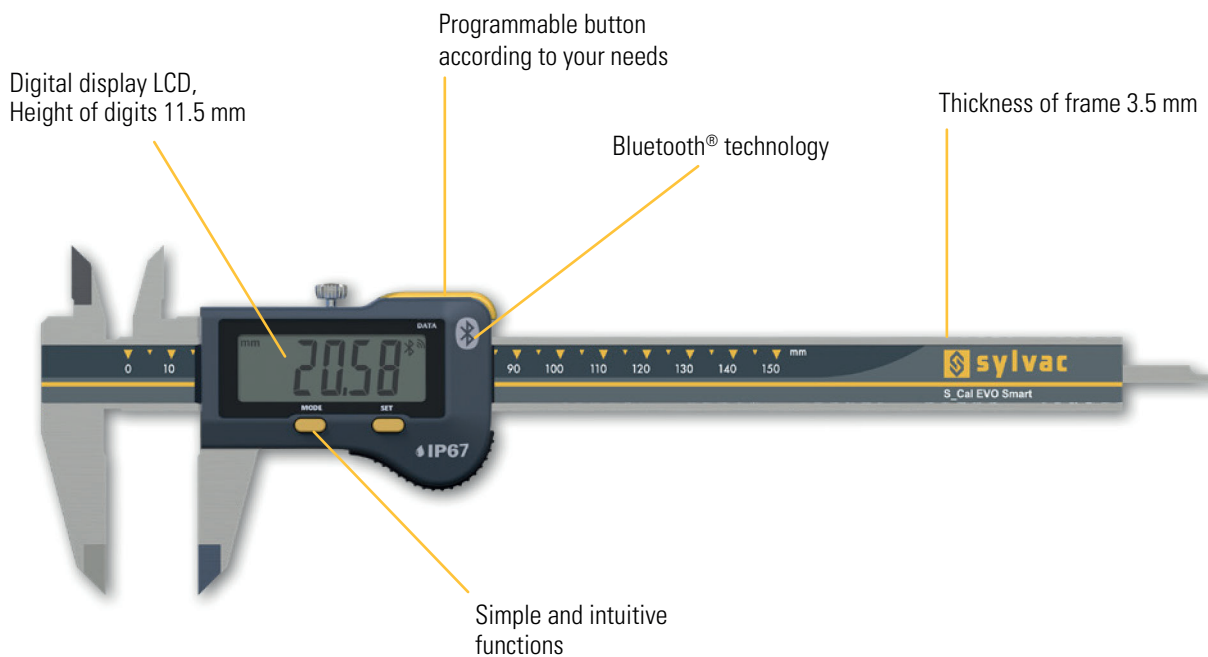


- **Integrated Bluetooth® wireless technology**

- New extra-large display
- Programmable button according to your needs
- Water protected for heavy-duty work with coolants and lubricants, protection rating IP67 according to IEC 60529,
- Automatic wake-up by moving the electronic on his frame. (Absolute System S.I.S)
- Sleeping mode after 10 min. of no use. (Absolute System S.I.S)
- Position memorized in sleeping mode, **Absolute System S.I.S***
- Maximum speed of displacement : 2.5 m/sec
- Mechanical frame in stainless steel, hardened and grinded
- Great comfort of use thanks to its ergonomic frame
- Thumb wheel on request (see accessories)



Bluetooth® wireless technology and IP67 protection rating!

SIS Smart Inductive System



IP67



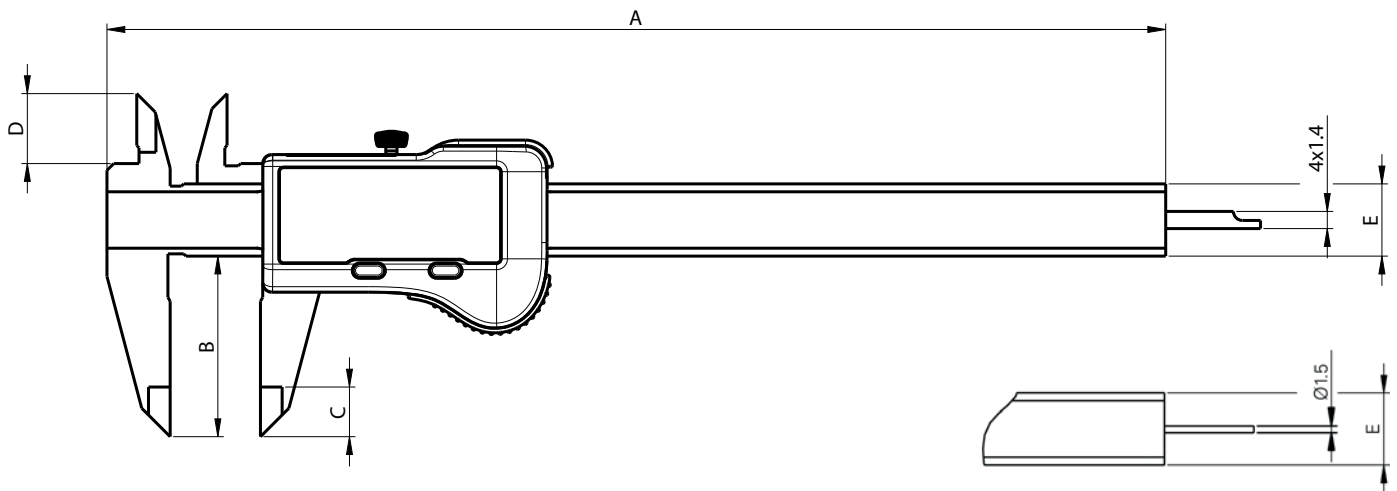
* SIS Smart Inductive System description on page 5

Caliper

S_Cal EVO

DIMENSIONAL DRAWING

SMART



TECHNICAL SPECIFICATIONS

		109130.1000	109130.1100	109130.1200	109130.1300
Measuring range	mm	150	150	200	300
Max. Error G	µm	20 ¹⁾	20 ¹⁾	30	30
A	mm	234.5	234.5	290.5	388
B	mm	40	40	50	64
C	mm	11	11	14	14
D	mm	16	16	19	19
E	mm	16 x 3.5	16 x 3.5	16 x 3.5	16 x 4
Depth rod	mm	■ 4 x 1.4	∅ 1.5	■ 4 x 1.4	---
Protection rating according to IEC 60529	IP67				
Output data	Bluetooth® wireless technology*				
Functions	Zero setting, Preset (max 999.99), mm/inch, Hold, Data				
Smart Inductive Sensor	●				

¹⁾ > 100 mm : 30 µm / DIN 862

* Up to 8 instruments connected per dongle 109145.1390
More informations on How to use Bluetooth® leaflet SYL_1401_EN_BT

Micron Caliper

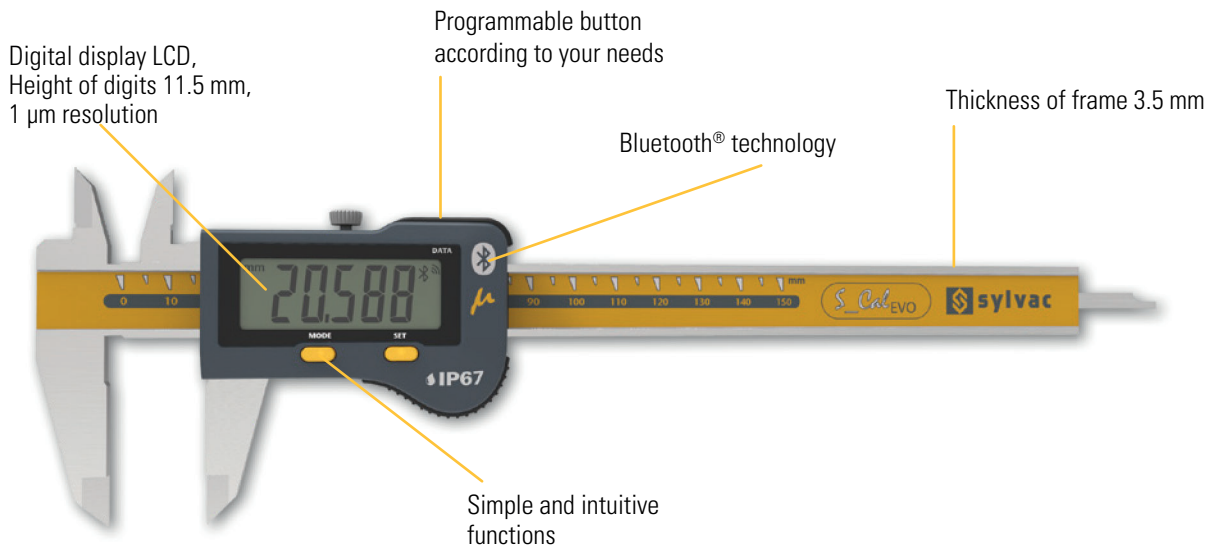
S_Cal EVO

DESCRIPTION

SMART MICRON

- **Integrated Bluetooth® wireless technology**

- New extra-large micron display
- Programmable button according to your needs
- Water protected for heavy-duty work with coolants and lubricants, protection rating IP67 according to IEC 60529,
- Automatic wake-up by moving the electronic on his frame. (Absolute System S.I.S)
- Sleeping mode after 10 min. of no use. (Absolute System S.I.S)
- Position memorized in sleeping mode, **Absolute System S.I.S***
- Maximum speed of displacement : 2.5 m/sec
- Mechanical frame in stainless steel, hardened and grinded
- Great comfort of use thanks to its ergonomic frame
- Thumb wheel on request (see accessories)



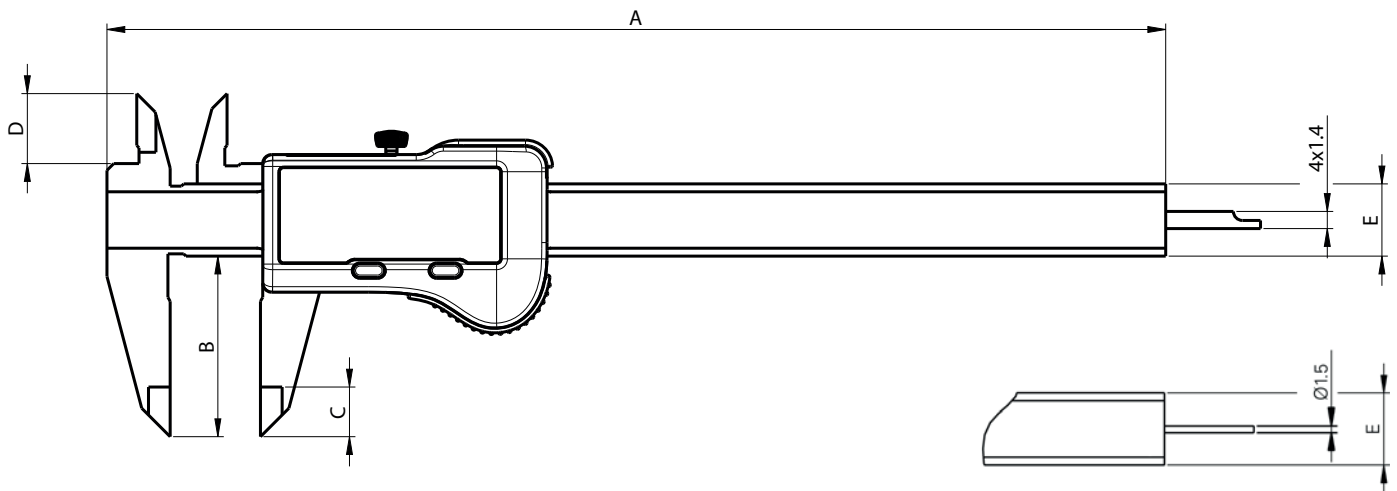
* SIS Smart Inductive System description on page 5

Micron Caliper

S_Cal EVO

DIMENSIONAL DRAWING

SMART MICRON



TECHNICAL SPECIFICATIONS

		109130.1800	109130.1850
Measuring range	mm	150	150
Max. Error G	µm	15 ¹⁾	15 ¹⁾
Resolution	mm	0.001	
A	mm	234.5	234.5
B	mm	40	40
C	mm	11	11
D	mm	16	16
E	mm	16 x 3.5	16 x 3.5
Depth rod	mm	— 4 x 1.4	Ø 1.5
Protection rating according to IEC 60529		IP67	IP67
Output data		Bluetooth® wireless technology*	
Functions		Zero setting, Preset (max 999.99), mm/inch, Hold, Data	
Smart Inductive Sensor		●	

¹⁾ < 100 mm: 15 µm / > 100 mm : 30 µm / DIN 862

* Up to 8 instruments connected per dongle 109145.1390
More informations on How to use Bluetooth® leaflet SYL_1401_EN_BT