

# TELS



# TELS

## INTRODUCTION

The Mini-Horizontal TELS is the ideal instrument for checking small dimensions. It is part of the horizontal instruments family.

The instrument is mainly used for checking internal and external dimensions, such as ring gauges, plug gauges, thread plug gauges and for measuring precision production parts.

The reliable concept is easily suitable for the use in workshop environment.

An electronic probe and digital display unit or simply a dial indicator can be applied to perform all measurements. The selection of the measuring system depends on the required accuracy.

The range for internal measurements from 10 to 100 mm and external measurements from 0 to 100 mm covers a large number of applications. The absolute measuring range is 25 mm and a preset setting is necessary to obtain an entire length.

A wide range of accessories are available.

---

IDEAL FOR CHECKING SMALL DIMENSIONS

---

EASY MANIPULATION

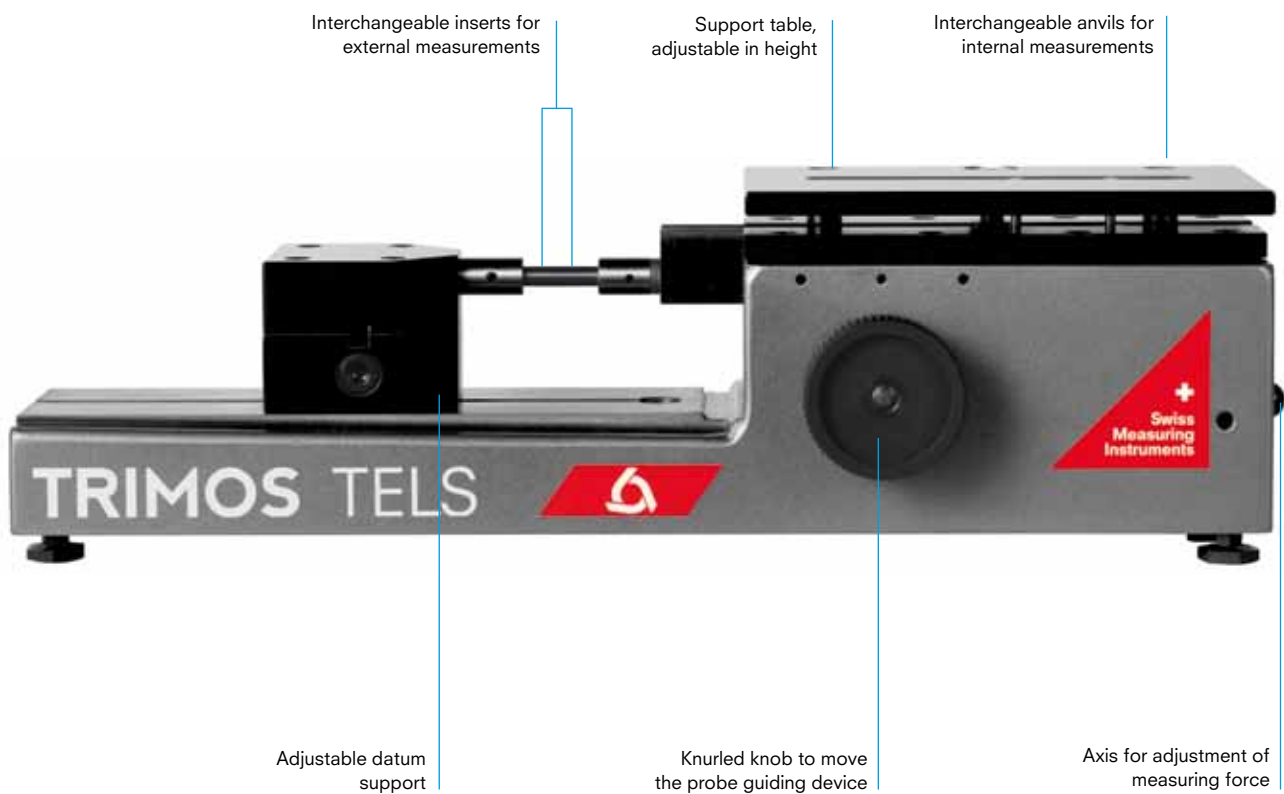
---

SUITABLE FOR USE IN WORKSHOP AREA

---

WIDE SELECTION OF ACCESSORIES

## DESCRIPTION



# TELS

## DISPLAY / SOFTWARE

FUNCTIONS OF SYLVAC DISPLAY UNIT:

SELECTION OF THE MEASURING UNIT MM/INCH

ANALOG DISPLAY

INPUT AND DISPLAY OF TOLERANCE LIMITS

CLASSIFICATION (2 - 6 CLASSES)

INPUT AND SETTING OF PRESET VALUES

INVERSION OF MEASURING DIRECTION (+/-)

CHANNEL SELECTION

VALUE HOLD

LOCKING OF THE KEYBOARD AND THE MM/INCH SELECTION

EXTERNAL CONTACT FUNCTION USING FOOT PEDAL OR COMPUTER

PRINT-OUT OF VALUE AND STATISTICAL ANALYSIS

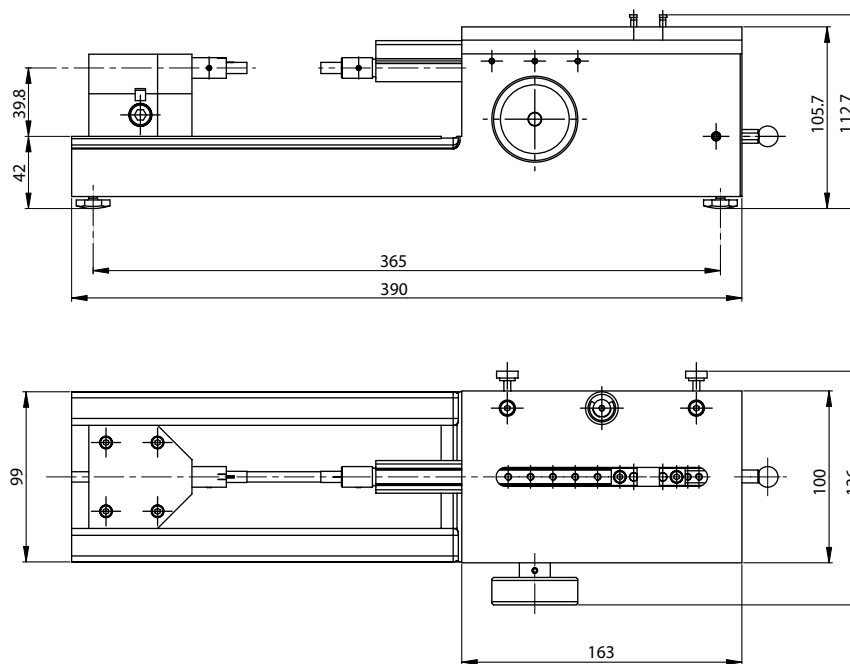


## TECHNICAL SPECIFICATIONS

TELS		
Absolute measuring range	mm (in)	25 (1)
Application range (external measurements)	mm (in)	100 (4)
Application range (internal measurements)	mm (in)	100 (4)
Max. permissible errors (according to measuring probe) <sup>1)</sup>	µm	1.5
Repeatability (2s) <sup>1)</sup>	µm	0.1
Resolutions <sup>1)</sup>	mm (in)	0.1 ÷ 0.0001 (.001 ÷ 00001)
Measuring force (adjustable)	N	3-8
Operational temperature	°C	+10 ÷ +40
Temperature of storage	°C	-10 ÷ +40
Weight	Kg	15

<sup>1)</sup> Depends on measuring probe. Values valid with probe P25 at temperature of 20 ± 0.2 °C and relative humidity of 50 ± 5 %.

## SCHEMA



## STANDARD INSTRUMENT

### The TELS instruments are supplied as follows:

Instrument according to specifications	User's manual (750 50 0019 03)
Measuring inserts for external measurement (TELS50)	Lapping plate (TA-TO-301)
Measuring anvils for internal measurements (TELS10)	Test certificate

## CODE NUMBERS

### TELS

TELS 700 205 00 01

# TELS

## APPLICATIONS



Checking of external diameters  
(TELS50, TELS5, TELS5.1)



Checking of internal diameters  
(TELS10)



Checking of internal grooves  
(TELS10)



Checking of lengths  
(TELS50, TELS5, TELS5.1)