

Digital indicators

S_Dial PRO

DESCRIPTION

SMART

- Robust digital comparator with \varnothing 59.5 mm housing rotatable by 270°.
- Large display resolution 0.0001 mm (0.1 μ m) with tolerance status indication by colour LEDs
- High accuracy over the entire measuring range thanks to an electronically corrected scale system with reference marks
- Measuring error less than 1.2 μ m over 50 mm
- Three buttons, including the central button with selectable favourite function
- Wide range of functions, including MIN/MAX/DELTA
- Bluetooth®, Proximity» and «Power» data outputs allowing the instrument to be used without batteries when connected by this cable.
- Available with a fixing diameter of 8 mm and 25 mm for some models
- Measuring range of your choice: 25, 50 and 100 mm
- Available in standard pressure or low-pressure version without return spring for vertical use.
- Protection class IP51



Large display with integrated LEDs tolerances

Aluminium case rotating display over 270°

Customizable button

Clamping \varnothing 25 - g7
Stainless steel chrome

Output cable
Proximity to USB
(109145.1000)
or RS232
(109145.1000)

50 mm

External power supply and output cable Power to USB
(121540.2000/.2005)
or RS232
(121540.0800/.0805)

Aluminium tube

Clamping \varnothing 8 - h6
Stainless hardened steel

Lifter



100 mm

25 mm

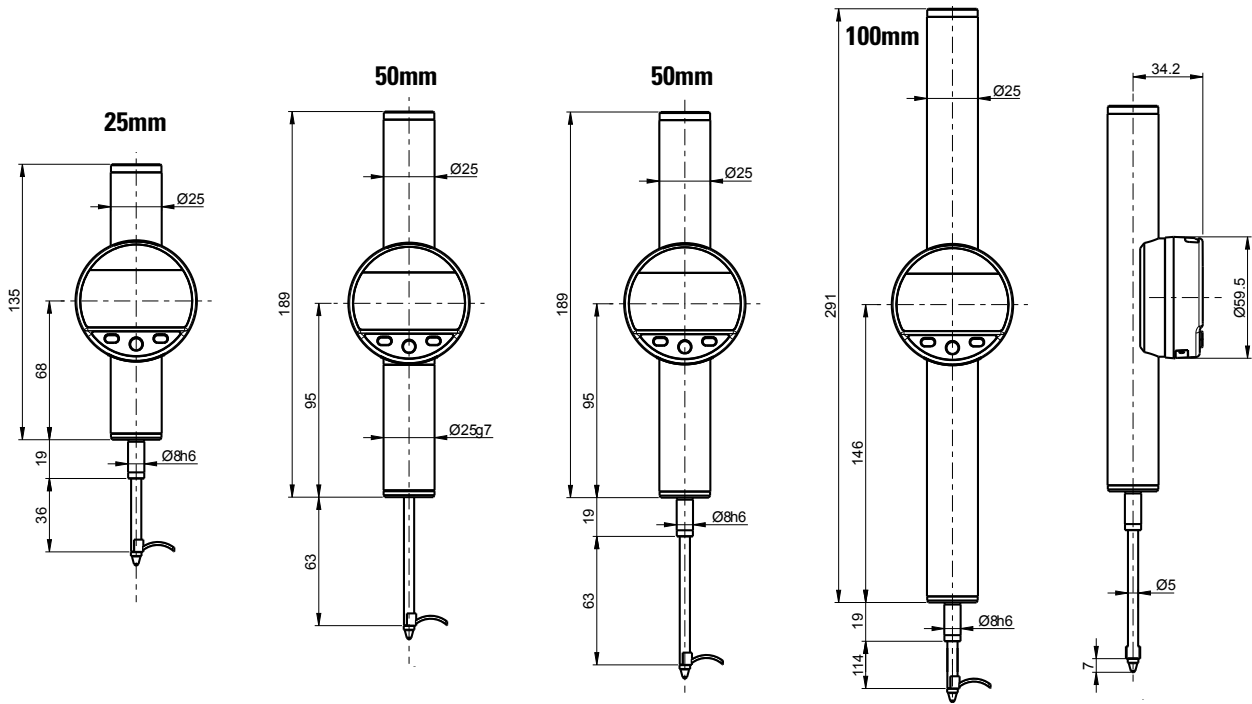


Digital indicators

S_Dial PRO

DIMENSIONAL DRAWINGS

SMART



TECHNICALS SPECIFICATIONS

		121475.0080	121475.0060	121475.0200	121475.0100	121475.1100	121475.1000	121475.2000
Measuring range	mm	25			50			100
Resolution	mm	0.0001						
Max. Error fe	µm	1.0			1.2			1.8
Repeatability	µm	0.2						
Output data		USB / RS232 / Bluetooth® wireless technology*						
Programmable by PC		●						
Clamping		ø8 h6			ø25 g7			ø8 h6
Spring		●	1)	●	1)	●	1)	●
Measuring force	N	0.75 - 1.00 ²⁾	0.30 ²⁾	0.85 - 1.2 ²⁾	0.40 ²⁾	0.85 - 1.2 ²⁾	0.40 ²⁾	0.90 - 1.30 ²⁾
IP rating		IP51						
Standard functions (customizable by PC)		mm/inch, ref I/II, preset (max 99.9999) min/max/delta, tolerances, resolution, measuring direction, multiplier, automatic extinction/manual, keylock						

¹⁾ Model without spring : Constant measuring force, use only in a vertical position

²⁾ The values agree within ± 20% (vertical down, measuring rod outgoing)

*** Up to 8 instruments connected per dongle 109145.1390**

INSTRUMENT DE BASE

- Instrument according to technical specifications
- Lithium battery CR2032 included
- Lifter included
- Manual
- Calibration certificate