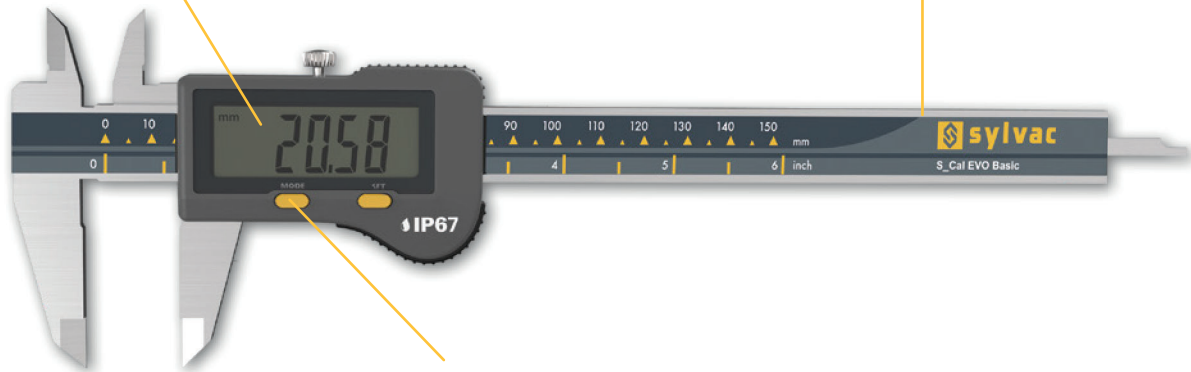


- **Standard professional caliper with protection IP67**
- New extra-large display
- Without output data
- Automatic wake-up by moving the electronic on his frame. (Absolute System S.I.S)
- Sleeping mode after 10 min. of no use. (Absolute System S.I.S)
- Position memorized in sleeping mode, **Absolute System S.I.S\***
- Maximum speed of displacement : 2.5 m/sec
- Mechanical frame in stainless steel, hardened and grinded
- Great comfort of use thanks to its ergonomic frame
- Thumb wheel on request (see accessories)

Digital display LCD,  
Height of digits 11.5 mm

Thickness of frame 3.5 mm



Simple and intuitive  
functions

NO OUTPUT 

SIS Smart Inductive System

 WATER RESISTANT

 IP67

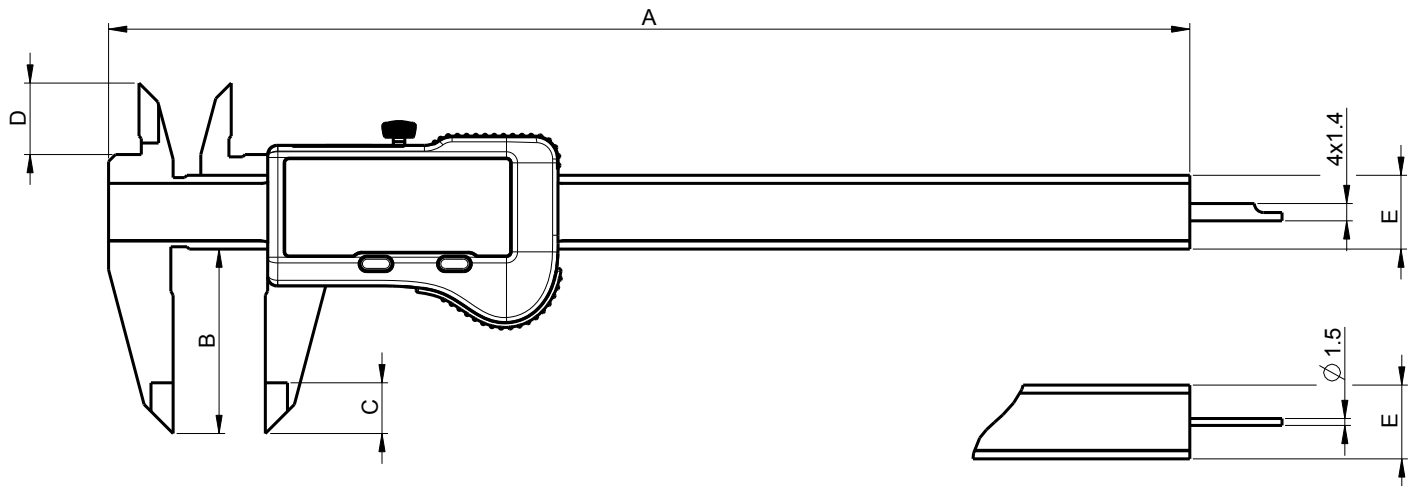
## Protection rating IP67 !

# Caliper

# S\_Cal EVO

## DIMENSIONAL DRAWING

## BASIC



## TECHNICAL SPECIFICATIONS

		109129.0101	109129.0201	109129.0301	109129.0401
Measuring range	mm	150	150	200	300
Max. Error G	µm	20 <sup>1)</sup>	20 <sup>1)</sup>	30	30
A	mm	234.5	234.5	290.5	388
B	mm	40	40	50	64
C	mm	11	11	14	14
D	mm	16	16	19	19
E	mm	16 x 3.5	16 x 3.5	16 x 3.5	16 x 4
Depth rod	mm	■ 4 x 1.4	∅ 1.5	■ 4 x 1.4	---
Protection rating according to IEC 60529		IP67			
Functions		Zero setting, Preset (max 999.99), mm/inch, Hold			
Smart Inductive Sensor		●			

<sup>1)</sup> > 100 mm : 30 µm / DIN 862

# Caliper

# S\_Cal EVO

## DESCRIPTION

## PROXIMITY

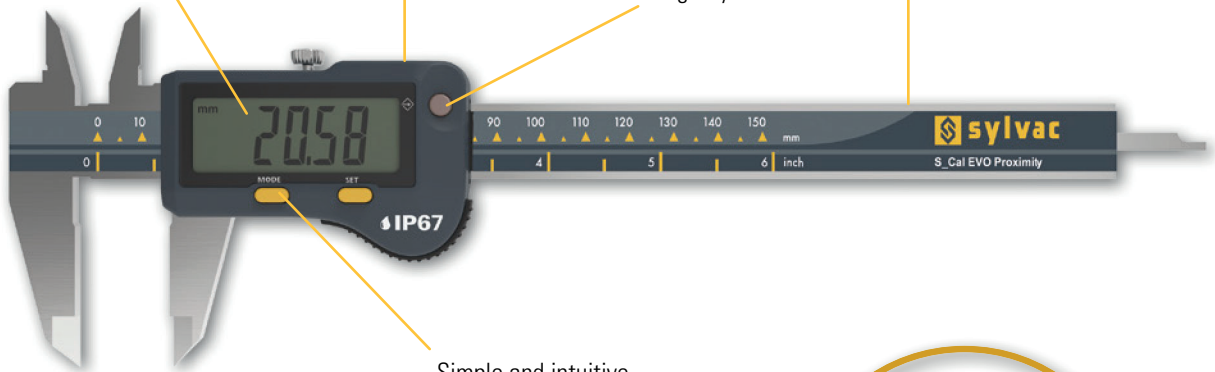
- Standard professional caliper with protection IP67
- **Proximity data output**
- New extra-large display
- Programmable button with a function of choice
- Automatic wake-up by moving the electronic on his frame. (Absolute System S.I.S)
- Sleeping mode after 10 min. of no use. (Absolute System S.I.S)
- Position memorized in sleeping mode, **Absolute System S.I.S\***
- Maximum speed of displacement : 2.5 m/sec
- Mechanical frame in stainless steel, hardened and grinded
- Great comfort of use thanks to its ergonomic frame
- Thumb wheel on request (see accessories)

Digital display LCD,  
Height of digits 11.5 mm

Output cable Proximity to  
USB (926.6721) or RS232  
(926.6723)

Thickness of frame 3.5 mm

Programmable button  
according to your needs



Simple and intuitive  
functions



Proximity cable

PROXIMITY

SIS | Smart  
Inductive  
System

WATER RESISTANT

IP67

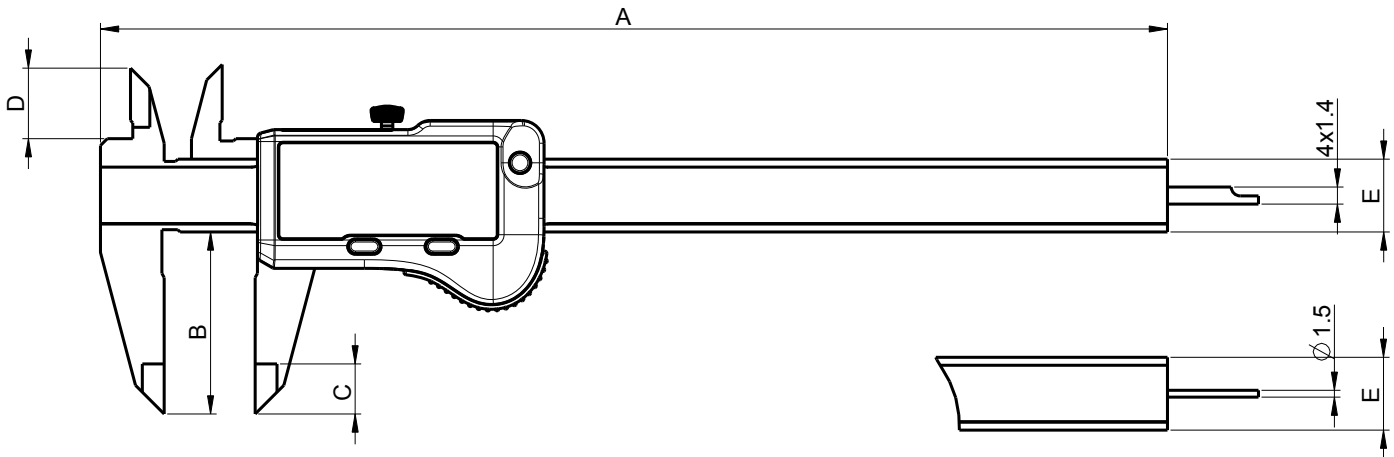
## Proximity version

# Caliper

# S\_Cal EVO

## DIMENSIONAL DRAWING

## PROXIMITY



## TECHNICAL SPECIFICATIONS

		109129.1100	109129.1200	109129.1300	109129.1400
Measuring range	mm	150	150	200	300
Max. Error G	µm	20 <sup>1)</sup>	20 <sup>1)</sup>	30	30
A	mm	234.5	234.5	290.5	388
B	mm	40	40	50	64
C	mm	11	11	14	14
D	mm	16	16	19	19
E	mm	16 x 3.5	16 x 3.5	16 x 3.5	16 x 4
Depth rod	mm	— 4 x 1.4	∅ 1.5	— 4 x 1.4	---
Protection rating according to IEC 60529	IP67				
Functions	Zero setting, Preset (max 999.99), mm/inch, Hold				
Output data	USB / RS232 <sup>2)</sup>				
Smart Inductive Sensor	●				

<sup>1)</sup> > 100 mm : 30 µm / DIN 862

<sup>2)</sup> see cables chapter

# Caliper

# S\_Cal EVO $\mu$ m

## DESCRIPTION

## PROXIMITY MICRON

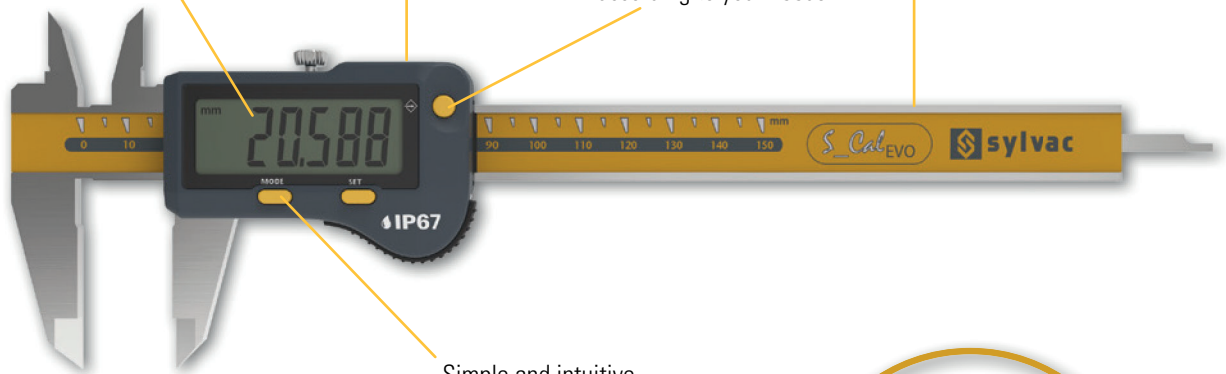
- Standard professional caliper with protection IP67
- **Proximity data output**
- **New extra-large micron display**
  - Programmable button with a function of choice
  - Automatic wake-up by moving the electronic on his frame. (Absolute System S.I.S)
  - Sleeping mode after 10 min. of no use. (Absolute System S.I.S)
  - Position memorized in sleeping mode, **Absolute System S.I.S\***
  - Maximum speed of displacement : 2.5 m/sec
  - Mechanical frame in stainless steel, hardened and grinded
  - Great comfort of use thanks to its ergonomic frame
  - Thumb wheel on request (see accessories)

Digital display LCD,  
Height of digits 11.5 mm

Output cable Proximity to  
USB (926.6721) or RS232  
(926.6723)

Thickness of frame 3.5 mm

Programmable button  
according to your needs



Simple and intuitive  
functions



Proximity cable

PROXIMITY 

SIS | Smart  
Inductive  
System

  
WATER RESISTANT

 IP67

## Version Proximity micron

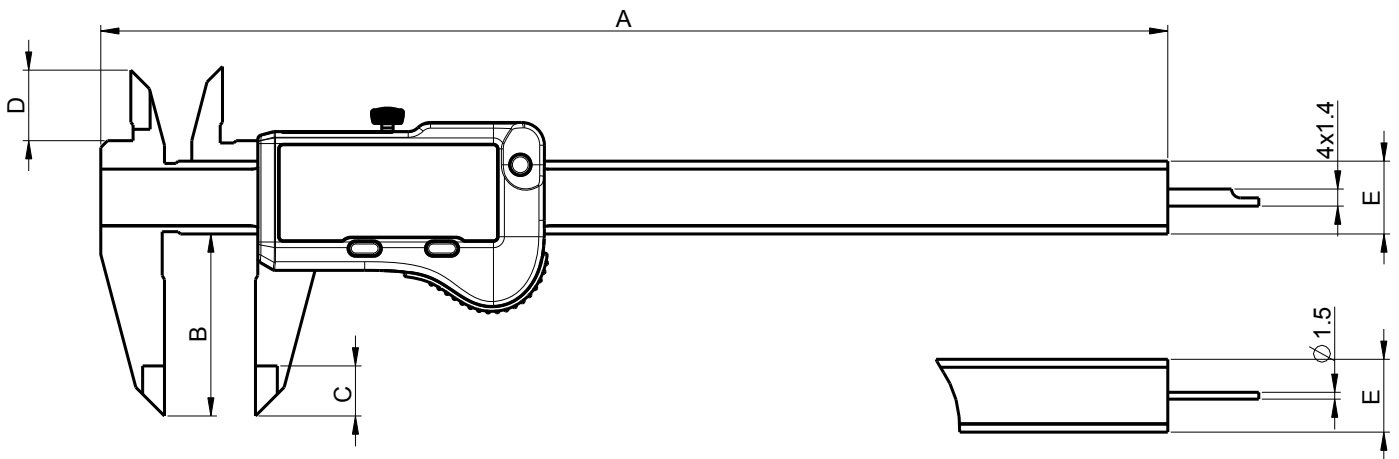
\* SIS  description on page 5

# Caliper

# S\_Cal EVO $\mu\text{m}$

DIMENSIONAL DRAWING

PROXIMITY MICRON



## TECHNICAL SPECIFICATIONS

		109129.1800	109129.1850
Measuring range	mm	150	150
Max. Error G	$\mu\text{m}$	15 <sup>1)</sup>	15 <sup>1)</sup>
Resolution	mm	0.001	
A	mm	234.5	234.5
B	mm	40	40
C	mm	11	11
D	mm	16	16
E	mm	— 16 x 3.5	— 16 x 3.5
Depth rod	mm	4 x 1.4	Ø1.5
Functions	Zero setting, Preset (max 99.999), mm/inch, Hold		
Protection rating according to IEC 60529	IP67		
Output data	USB / RS232 <sup>2)</sup>		
Smart Inductive Sensor	●		

<sup>1)</sup> < 100 mm : 15  $\mu\text{m}$  / > 100 mm : 30  $\mu\text{m}$  / DIN 862

<sup>2)</sup> see cables chapter