

Digital indicators

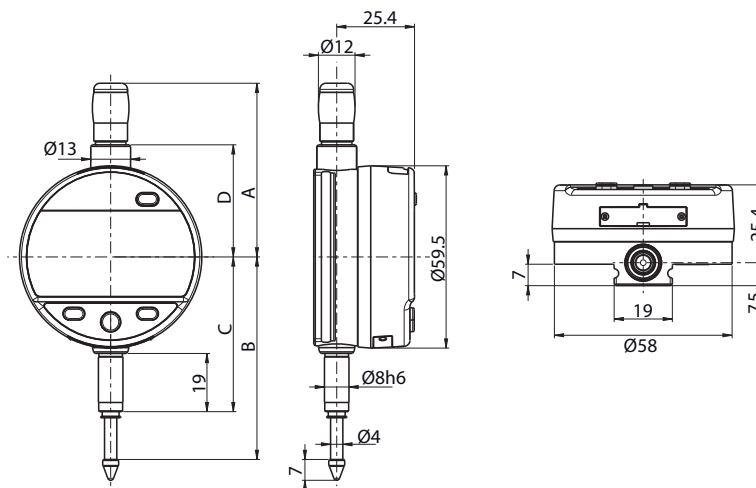
S_Dial WORK

DESCRIPTION

CBG

- **Special version for cylindrical bore gauges**
- **Data output Power, Proximity & Bluetooth®**
- **Introduction of the Preset value on the saved Min value**
- **Quick measure of the reversal point**
- Robust construction
- Water and coolant resistant
- Broad choice of functions (MIN/MAX/DELTA, TOL, PRESET, AUTO OFF, etc.)
- Automatic wake-up and sleeping mode, Absolute System S.I.S*
- Maximum error of 3 µm





TECHNICAL SPECIFICATIONS

| | | 121526.0100 |
|--|----|--|
| Measuring range | mm | 12.5 |
| Resolution | mm | 0.001 |
| Max. Error fe | µm | 3 |
| Repeatability | µm | 2 |
| IP rating | | IP54 |
| A | mm | 56.7 |
| B | mm | 66.1 |
| C | mm | 50.5 |
| D | mm | 36.6 |
| Output data | | USB / RS232 / Bluetooth® wireless technology* |
| Programmable by PC | | ● |
| Standard functions (customized by PC) | | mm/inch, preset (max 999.999) min/max/delta, tolerances, resolution, direction of measurement, multiplication factor, automatic or manual switch off, key lock |

¹⁾ ± 1 digit

STANDARD DELIVERY

- Instrument according to technical specifications
- Lithium battery CR2032 included
- Instruction manual
- Calibration certificate

MEASURING FORCE

| | | S 12.5 |
|--------------------|---|-------------|
| Standard | N | 0.65 - 0.90 |
| Low ²⁾ | N | 0.4 - 0.55 |
| High ²⁾ | N | 1.0 - 1.6 |

Tolerance ± 20%, spindle in outgoing measurement position.
²⁾ on request