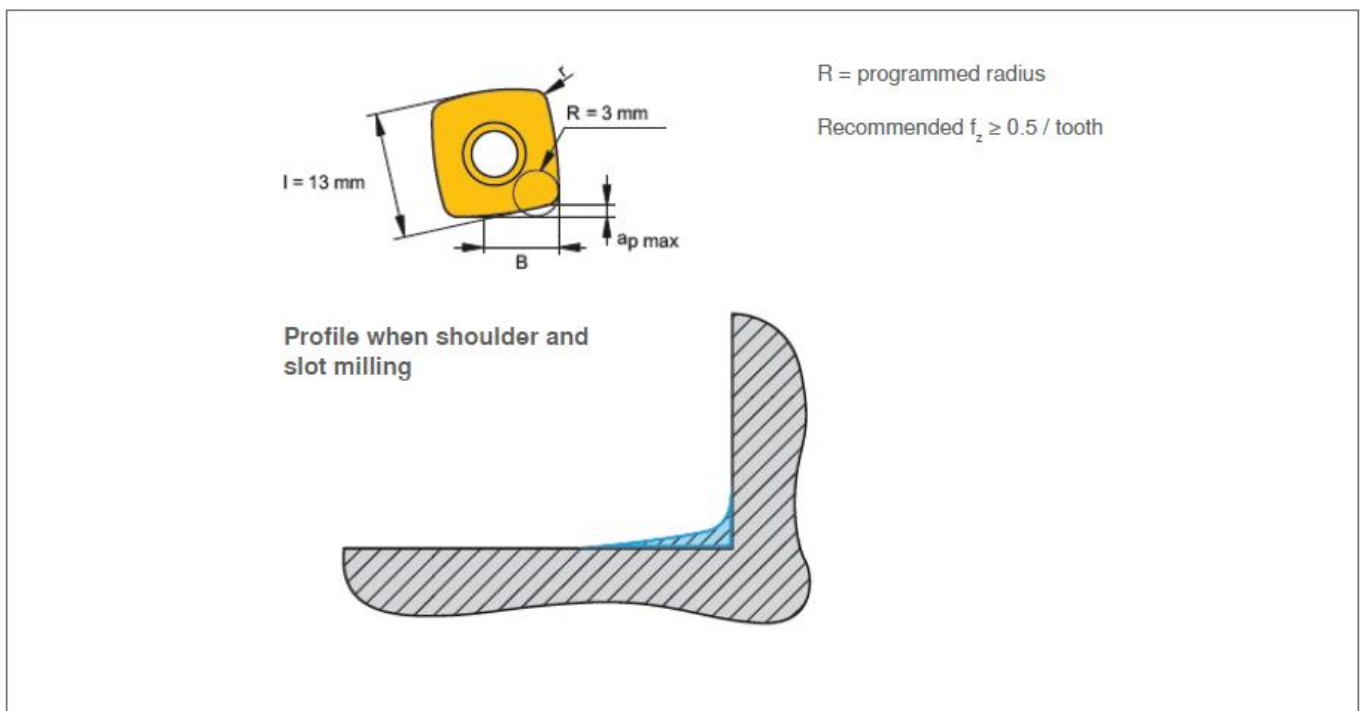


239000

### Depth of cut and remaining material



Insert	l [mm]	R [mm]	B [mm]	r [mm]	$a_p$ max [mm]
XOLT13	13.5	3.0	8.5	1.0	2.0